

VIRTUAL TRAINING

Embrace innovation to unlock the learning power

Virtual Training is the latest BHGE Customer Training solution that redefines the learning approach. For the first time ever, you will experience the interactive and immersive training scenarios we developed, to expand your capabilities disrupting the traditional learning paradigm. The impact you have by interacting with BHGE equipment 3D models, will take you in deeply engaging and powerful journey, surrounded by our technical expertise.

Discover how BHGE is pioneering virtual training to develop your human capital in the digital industrial era!

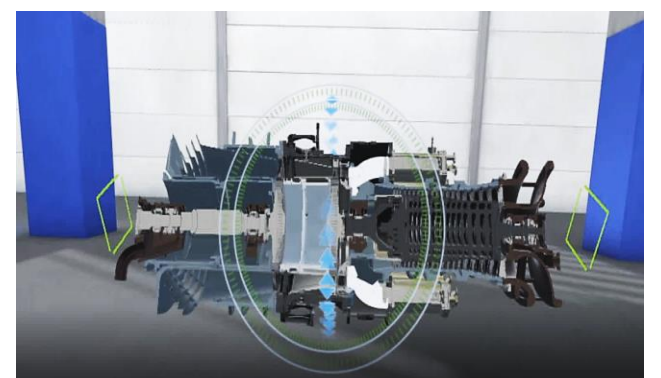
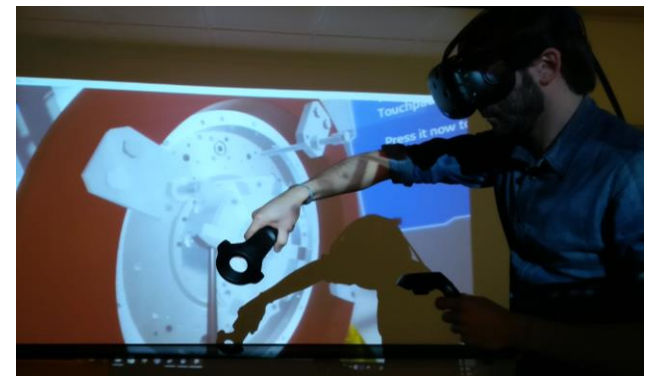
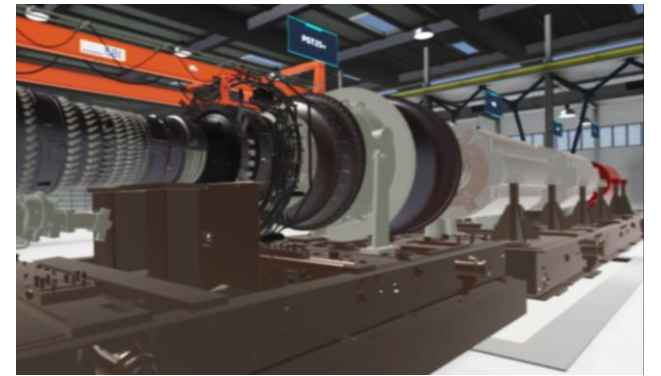
VALUE PROPOSITION

Virtual Training marks a milestone in the evolution of BHGE Customer Training portfolio.

It works in synergy with existing training services extending their effectiveness. Virtual Training ensures an extreme level of content customization beyond the boundaries of physical limitations. Given the flexibility of application, Virtual training allows you to:

- **Virtually access and explore your installation layout**
- **Familiarize and deep dive on equipment components and auxiliaries**
- **Practice on critical maintenance procedures**
- **Focus on Troubleshooting and analyze common case studies**

All the training modules can be performed anywhere and anytime and enable learners to remotely collaborate and connect in the same virtual scenario



BENEFITS



Boost **effectiveness** and **motivation** with immersive experiences



Behavior tracking system to improve trainees development



Leverage **proven expertise** of original equipment manufacturer and training



Minimize the impact of **downtime** and **cost-conscious** approach



Speed execution, with collaborative approach for training in **remote**



POWERED BY BHGE LEARNING PLATFORM

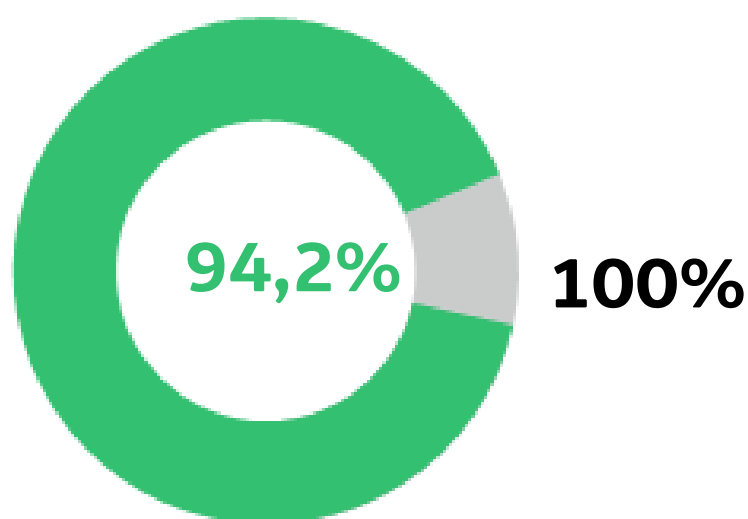
HOW IT WORKS

To unleash the power of Virtual training, we have refined the entire learning process from the training gap analysis, to learning outcomes definition and execution phase.

- 1. TARGET YOUR LEARNING NEEDS:** Once identified your learning requirements, our technical experts will design and implement the most suitable virtual training sessions aligned with the desired learning outcomes.
- 2. RETHINK USER EXPERIENCE:** The “learning by doing” stimulates higher cognitive processes and enhances engagement. User experience focuses on Oil & Gas applications to correctly perform all the technical activities even replicating the real ergonomics and positions.
- 3. EXECUTE BETTER, FASTER AND PURPOSEFUL:** BHGE experts and trainers will tutor you during the whole development path to achieve the defined learning outcomes. Timeline and training execution will be mutually agreed to meet organizational and logistic requirements.

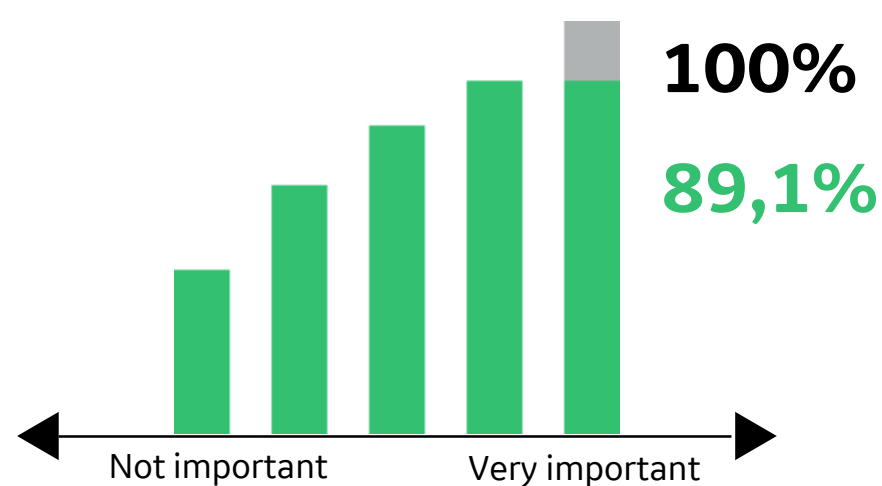
RESULTS

RECOMMENDED EXPERIENCE



Rate of recommendation of Virtual Training to a colleague

ENGAGEMENT AND LEARNING OUTCOMES



Evaluation of positive impact of Virtual Training on the achievement of courses' learning outcomes

Source: BHGE Customer's surveys after experiencing Virtual Training, Embedded in Classroom technical training sessions (execution time: September '16 – September '17)

TECHNICAL SPECS

Applicability	Scenarios engineered on all BHGE Equipment (Gas and Steam Turbines, Compressors and Pumps)
User experience	Single and multi-users approach
Immersivity	Fully Immersivity based on state-of-art wearables
Area requirements	Room/area approx. dimensions 4x4x2.5 mt - connectivity in case of collaborative sessions